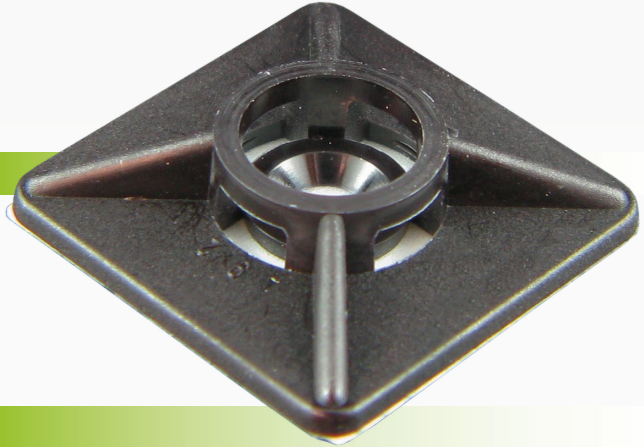




Cable Ties Mounting Pads

Sold in Packs of 100

www.sapiselco.com

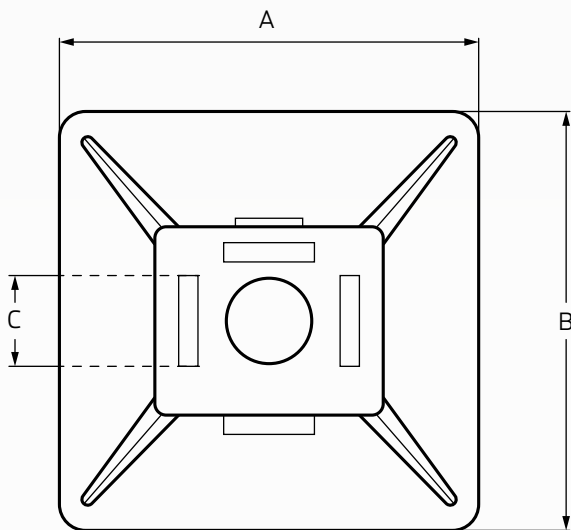


DESCRIPTION

Sapiselco black cable tie mounting pads. Equipped with bi-directional dual-acrylic adhesive. Comes supplied in packs of 100.

TECHNICAL SPECIFICATIONS

DIMENSIONS



Hole Mount: 5.3mm

Adhesive Type	• Acrylic
Tape Thickness	• 0.044" (1.12mm)
Tolerance	• +/- 10%
Adhesive Carrier	• Closed cell PE ² foam
Colour	• Black
Release Liner Thickness	• 0.0027" (0.07mm)
Release Liner Colour	• White
Release Liner Type	• Gassine Paper
Release Liner Print	• 3M PE foam logo print in light blue colour
Approximate Density (Foam Only)	• 5.3 - 7.17 lb/ft ³ • 85 - 115 kg/m ³

PART NUMBERS

Part Number.	Dimensions (A x B)	Max Cable Width (C)	Descriptions
TBA19B	19mm (A) x 19mm (B) x 5.6mm high	3.6mm (C)	Black cable tie mount pads with sticky back. 19mm x 19mm. Will suit cable ties up to 3mm wide. Comes in packs of 100.
TBA28B	27.8mm (A) x 27.8mm (B) x 6.5mm high	6.5mm (C)	Black cable tie mount pads with sticky back. 28mm x 28mm. Will suit cable ties up to 5mm wide. Comes in packs of 100.