



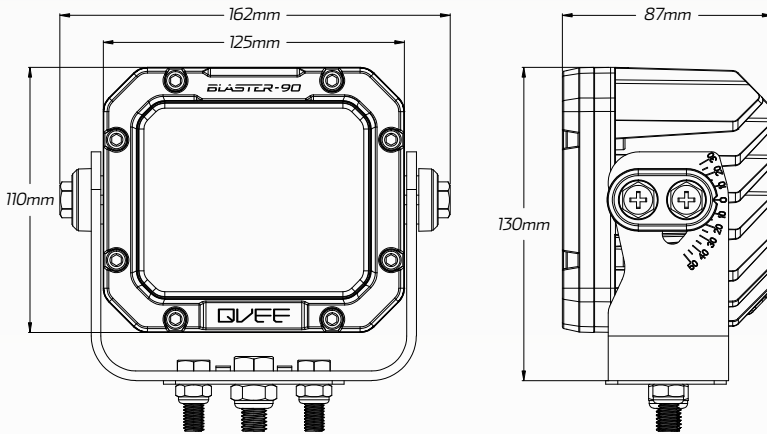
BLASTER 90W Heavy Duty LED Worklight - Spot Beam

www.qvee.com.au

#QVWL90MSHD

DESCRIPTION

The QVEE 90W "Blaster" worklights are specifically designed to handle Australia's harsh environments. Equipped with 9 x 10W of the latest Osram® LED's this light outputs an incredible 9,000 Lumens, washing over your work area and helping you see the job in front of you clearly. Heavy duty IP69K rated housing & ultra heavy duty mounting bracket. This light will handle even the most dust & wet environments.



ACCESSORIES

- Heavy Duty Mounting Brackets & Fittings



TECHNICAL SPECIFICATIONS

| | |
|-------------------------|-------------------------------------|
| Voltage | • 9 - 32 Volt |
| Wattage | • 90 Watt |
| IP Rating | • IP69K Rated |
| Raw Lumens | • 9,000 Lumens |
| Efficient Lumens | • 7,800 Lumens |
| LED Count | • 9 x 10W High Powered Osram® LED's |
| Beam Coverage | • Spot Beam |

| | |
|-----------------------------|--------------------------------------|
| Colour Temperature | • 5700 K |
| Vibration Resistance | • Up to 30G |
| Housing Material | • ADC 12 Aluminium Housing |
| Lens Material | • Polycarbonate Lens |
| Dimensions | • 162mm L x 130mm H x 87mm D |
| Approvals | • EMC/EMI Rating: CISPR 25 - Class 4 |

BEAM COVERAGE

