

BLASTER 40W Heavy Duty LED Worklight - Spot Beam

www.qvee.com.au

#QVWL40MSHD

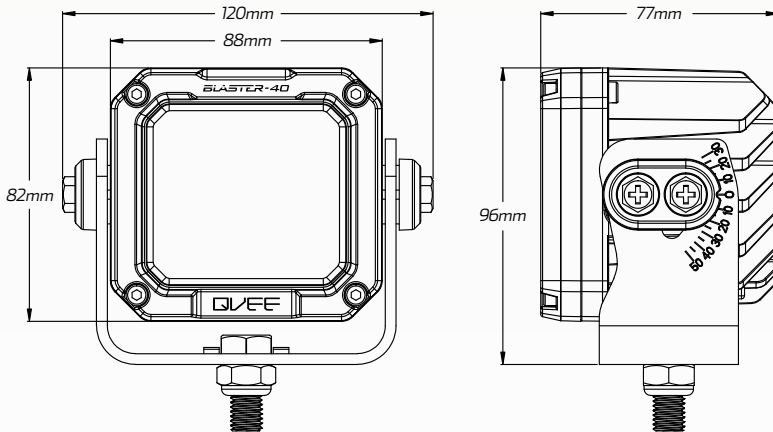
DESCRIPTION

This QVEE 40W "Blaster" worklight gives a great 40W performance. These lights are powered by Osram® Technology LED's ensuring that your work area is well illuminated with up to 4,000 Lumens of Spot lighting. Compact heavy duty IP69K rated housing & Ultra Heavy Duty Mounting Bracket. Ideal and ready to withstand the harsh mining & agricultural environments and avid 4 wheel drivers.



ACCESSORIES

- Heavy Duty Mounting Brackets & Fittings



TECHNICAL SPECIFICATIONS

Voltage	• 9 - 32 Volt
Wattage	• 40 Watt
IP Rating	• IP69K Rated
Raw Lumens	• 4,000 Lumens
Efficient Lumens	• 3,200 Lumens
LED Count	• 4 x 10W High Powered Osram® LED's
Beam Coverage	• Spot Beam

Colour Temperature	• 5700 K
Vibration Resistance	• Up to 30G
Housing Material	• ADC 12 Aluminium Housing
Lens Material	• Polycarbonate Lens
Dimensions	• 120mm L x 96mm H x 77mm D
Approvals	• EMC/EMI Rating: CISPR 25 - Class 4

BEAM COVERAGE

