

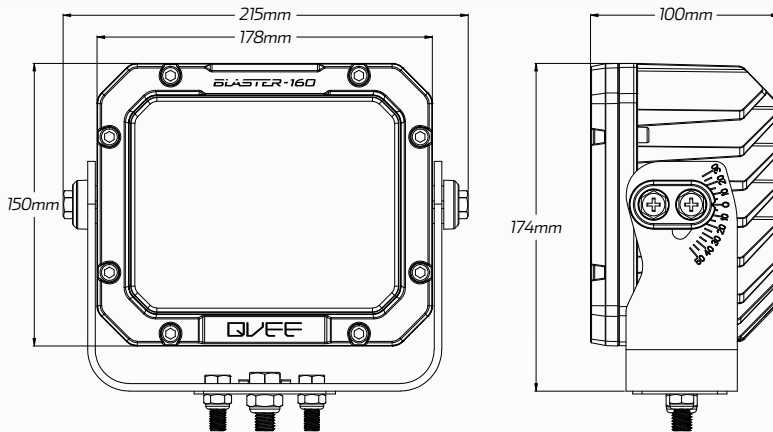
BLASTER 160W Heavy Duty LED Worklight - Spot Beam

www.qvee.com.au

#QVWL160MSHD

DESCRIPTION

The ultimate in lighting performance. Flick your on switch to unleash 16,000 Lumens of Spot lighting across your work space. Equipped with high quality 16 x 10W Osram® LED's, Heavy duty housing & Ultra heavy duty mounting bracket, this light will ensure that what you're looking at is always lit up. Whether its mining, industrial, agricultural or marine this light will tackle it with confidence.



ACCESSORIES

- Heavy Duty Mounting Brackets & Fittings



TECHNICAL SPECIFICATIONS

Voltage	• 9 - 32 Volt
Wattage	• 160 Watt
IP Rating	• IP69K Rated
Raw Lumens	• 16,000 Lumens
Efficient Lumens	• 12,600 Lumens
LED Count	• 16 x 10W High Powered Osram® LED's
Beam Coverage	• Spot Beam

Colour Temperature	• 5700 K
Vibration Resistance	• Up to 30G
Housing Material	• ADC 12 Aluminium Housing
Lens Material	• Polycarbonate Lens
Dimensions	• 215mm L x 174mm H x 100mm D
Approvals	• EMC/EMI Rating: CISPR 25 - Class 4

BEAM COVERAGE

