

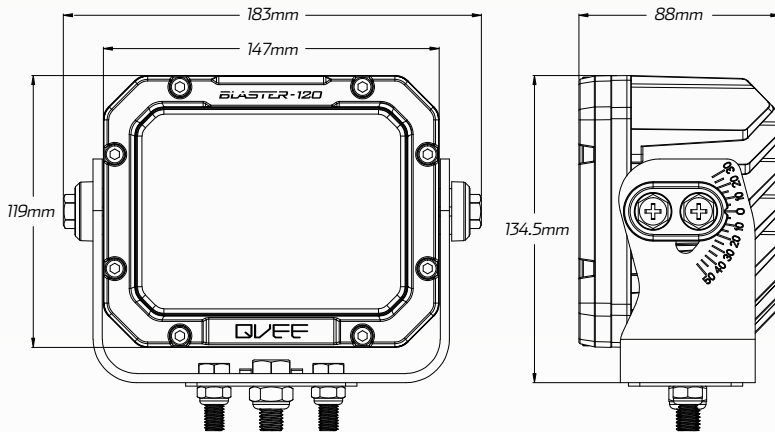
## BLASTER 120W Heavy Duty LED Worklight - Spot Beam

www.qvee.com.au

#QVWL120MSHD

### DESCRIPTION

The 'Blaster' series are Heavy Duty Worklights specifically designed for harsh environments like Agricultural & Mining. These 120W 'Blaster' Heavy Duty Worklights are powered by 12 x 10W high intensity Osram® LED's producing a massive 12,000 lumens of bright 5700K lighting. Features an IP69K rated housing & ultra heavy duty mounting bracket, Class 4 EMC/EMI protection and in-built Deutsch connector.



### ACCESSORIES

- Heavy Duty Mounting Brackets & Fittings



### TECHNICAL SPECIFICATIONS

<b>Voltage</b>	• 9 - 32 Volt
<b>Wattage</b>	• 120 Watt
<b>IP Rating</b>	• IP69K Rated
<b>Raw Lumens</b>	• 12,000 Lumens
<b>Efficient Lumens</b>	• 10,200 Lumens
<b>LED Count</b>	• 12 x 10W High Powered Osram® LED's
<b>Beam Coverage</b>	• Spot Beam

<b>Colour Temperature</b>	• 5700 K
<b>Vibration Resistance</b>	• Up to 30G
<b>Housing Material</b>	• ADC 12 Aluminium Housing
<b>Lens Material</b>	• Polycarbonate Lens
<b>Dimensions</b>	• 183mm L x 134.5mm H x 88mm D
<b>Approvals</b>	• EMC/EMI Rating: CISPR 25 - Class 4

### BEAM COVERAGE

