



Large Toyota Style Dual Volt Insert

#QVSWHLVVBL

www.qvee.com.au

DESCRIPTION

The QVSWHLVV dual volt inserts are designed as a direct replacement for Toyota Hilux or LandCruiser.

Comes with wiring harness and has a Green LED illumination.

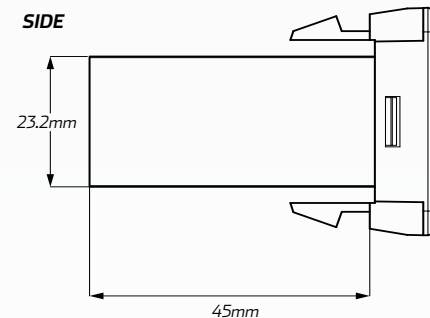
Great look for any fit out.



TECHNICAL SPECIFICATIONS

Material	• Durable ABS
Voltage Input	• 12V Input
Amperage Rating	• 3 A
LED Current Draw	• Less than 0.25 W
LED Colour	• Green LED Illumination
Applications	• 4WD's, RV's, ATV's, Cars, Trucks, Agricultural Machinery, Earthmoving Equipment.

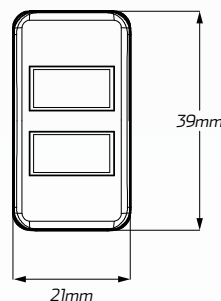
DIMENSIONS



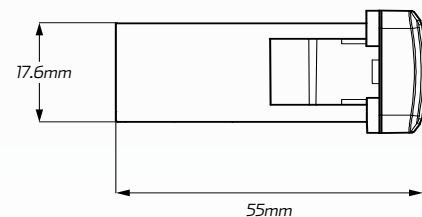
MODEL

- 75, 76, 78, 79, 100 Series LandCruiser
- 2005 - 2013 Hi-Ace
- 2005 - 2015 Hilux (Non SR5's)
- 2014 - 2015 Hilux SR5
- 2003 - 2009 Prado 120 Series

FRONT



TOP



WIRING HARNESS

