



Small Toyota Style Dual Volt Inserts

#QVSWPRVVBL

www.qvee.com.au

DESCRIPTION

The QVSWPRVV dual volt panel insert is designed as a direct replacement for Toyota Prado & 200 series LandCruiser.

Comes with pre-wired harness and blue LED illumination

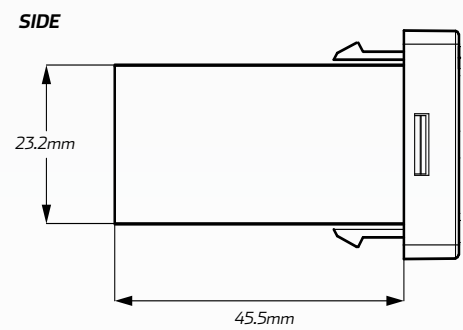
Great look for any fit out.



TECHNICAL SPECIFICATIONS

Material	• Durable ABS
Voltage Input	• 12V Input
Amperage Rating	• 3 A
LED Current Draw	• Less than 0.25 W
LED Colour	• Blue LED Illumination
Applications	• 4WD's, RV's, ATV's, Cars, Trucks, Agricultural Machinery, Earthmoving Equipment.

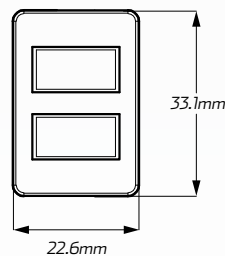
DIMENSIONS



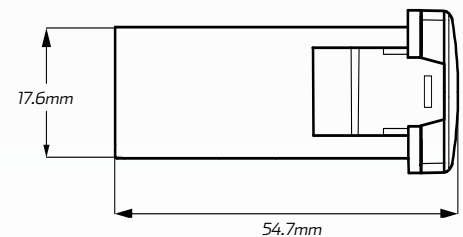
MODEL

- 2016 Hilux
- 2015 - Current Tundra
- 2010 - Current Prado 150
- 2008 - Current 200 Series LandCruiser

FRONT



TOP



WIRING HARNESS

