



## Small Toyota Style Twin USB Insert

#QVSWPRUSBLL

www.qvee.com.au

### DESCRIPTION

The QVSWPRUSB twin style USB insert are designed as a direct replacement for Toyota Prado & 200 series LandCruisers.

Comes with wiring harness and has a Blue LED illumination.

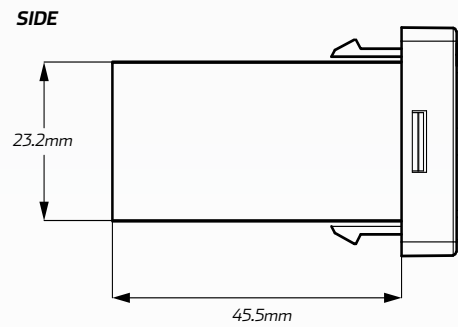
Great look for any fit out.



### TECHNICAL SPECIFICATIONS

<b>Flame Retardant Rating</b>	• UL94 - V0
<b>Voltage Input</b>	• 12V Input
<b>Amperage Rating</b>	• 3 A
<b>LED Current Draw</b>	• Less than 0.25 W
<b>LED Colour</b>	• Blue LED Illumination
<b>Applications</b>	• 4WD's, RV's, ATV's, Cars, Trucks, Agricultural Machinery, Earthmoving Equipment.

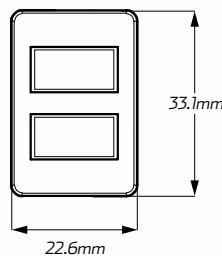
### DIMENSIONS



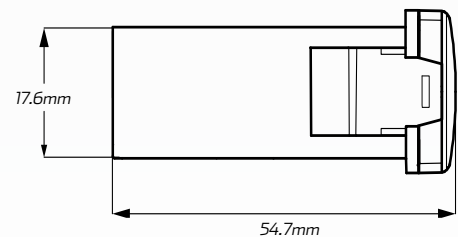
### MODEL

- 2016 Hilux
- 2015 - Current Tundra
- 2010 - Current Prado 150
- 2008 - Current 200 Series Landcruiser

**FRONT**



**TOP**



### WIRING HARNESS

- Power Input (AUX): Red
- Ground (AUX): Black
- Power Input (MAIN): Red
- Ground (MAIN): Black

