

## Toyota Style USB Insert with Volt Meter

#QVSWHLUSBVBL

www.qvee.com.au



### DESCRIPTION

The QVSWHLUSBV USB insert with volt meter are designed as a direct replacement for Toyota Hilux or LandCruiser.

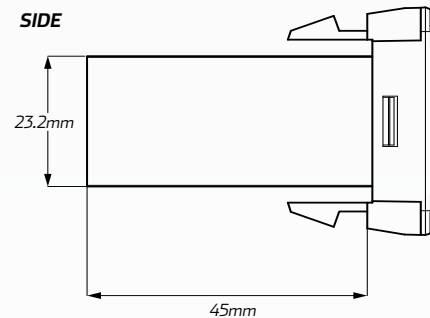
Comes with wiring harness and has a blue LED illumination.

Great look for any fit out.

### TECHNICAL SPECIFICATIONS

<b>Flame Retardant Rating</b>	• UL94 - V0
<b>Voltage Input</b>	• 12V Input
<b>Amperage Rating</b>	• 3 A
<b>LED Current Draw</b>	• Less than 0.25 W
<b>LED Colour</b>	• Blue LED Illumination
<b>Applications</b>	• 4WD's, RV's, ATV's, Cars, Trucks, Agricultural Machinery, Earthmoving Equipment.

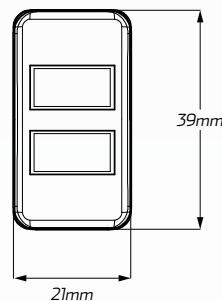
### DIMENSIONS



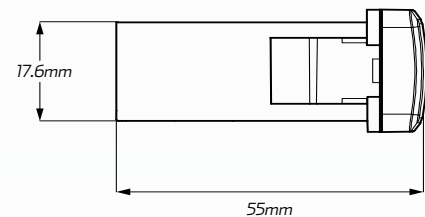
### MODEL

- 75, 76, 78, 79, 100 Series LandCruiser
- 2005 - 2013 Hi-Ace
- 2005 - 2015 Hilux (Non SR5's)
- 2014 - 2015 Hilux SR5
- 2003 - 2009 Prado 120 Series

### FRONT



### TOP



### WIRING HARNESS

