



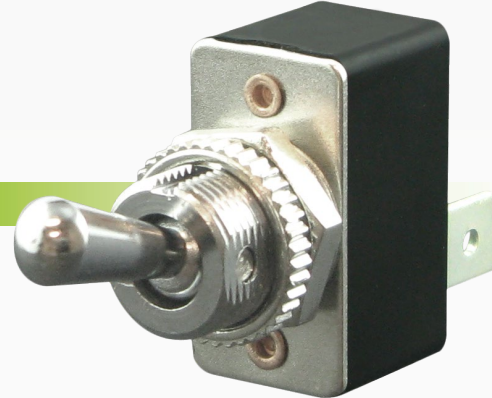
## SPST On/Off Toggle Switch

#QVST601

www.qvee.com.au

### DESCRIPTION

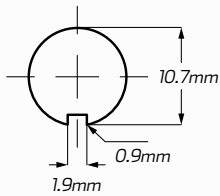
SPST Off/On toggle switch with a push on terminals.  
Amperage: 10A @ 12 Volt & 5A @ 24 Volt.



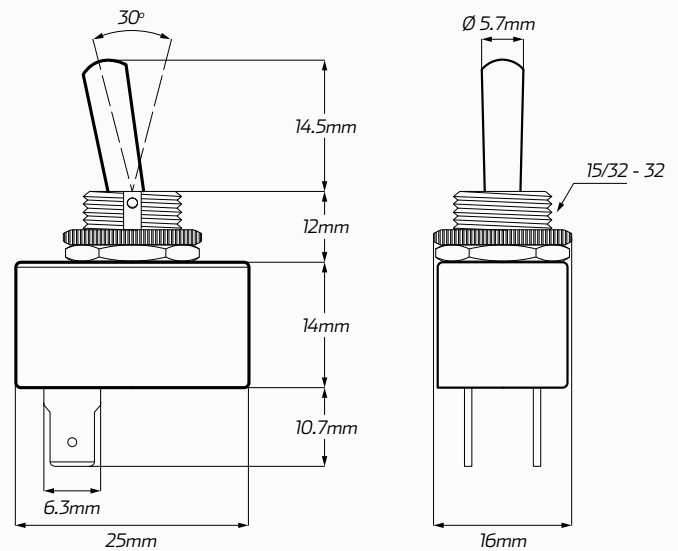
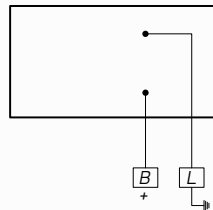
### DIMENSIONS

- 2 pin SPST On/Off toggle switch
- 2 blade terminals
- Suitable for 12 volt & 24 volt applications
- Electrical life: up to 10,000 cycles
- Mechanical life: more than 50,000 cycles

#### Panel Cut-out\*



#### Wiring Diagram



\*Measurement Allowance: +/- 0.3mm

### TECHNICAL SPECIFICATIONS

<b>Function</b>	• SPST On/Off	<b>Body Colour</b>	• Silver / Black
<b>Suitable Voltage</b>	• 12/24 Volt	<b>Contacts</b>	• 2 pin blade terminals
<b>Amperage</b>	• 10A @ 12V, 5A @ 24V	<b>Contact Size</b>	• 6.35mm
<b>Mechanical Life</b>	• More than 50,000 cycles	<b>Switch Dimensions</b>	• 25mm x 51.2mm x 16mm
<b>Electrical Life</b>	• More than 10,000 cycles	<b>Cut-out Dimensions</b>	• Ø 10.7mm (+/- 0.3mm allowance)