



4 Way Midi Fuse Holder

#QVMIDFH4

www.qvee.com.au

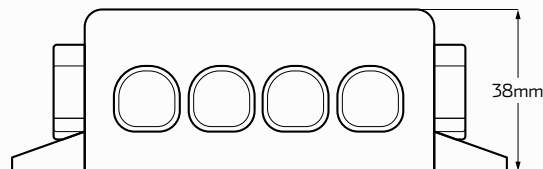
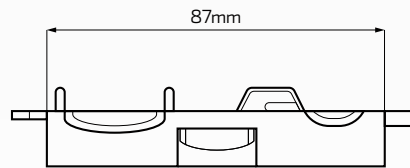
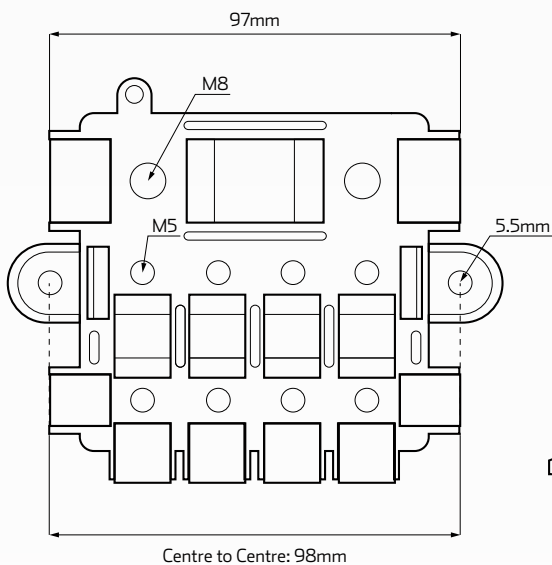
DESCRIPTION

4 way heavy duty midi fuse holder. Allows the installation of 1 mega fuse for a 5 way fuse connection.

Supports electrical applications of up to 200 Amps. Input voltage rated at 32V DC max. Suitable for in-line or surface mount applications. Includes cover and hex nuts.



DIMENSIONS



Suits Midi fuses up to 200A (total)

Fuses are not included

TECHNICAL SPECIFICATIONS

Suitable Fuse	• 4 x Midi fuse & 1 x Mega fuse
Max. Voltage Application	• Up to 32 Volt applications
Max. Current Application	• Up to 200A max @ 12 Volt (total)
Housing Material	• Black PPA
Cover Material	• Black PPA

Accessories	• Includes cover and hex nuts
Stud Size	• M5 threaded studs (midi fuse) • M8 threaded studs (mega fuse)
Mounting	• 98mm Centre to Centre