

Midi Fuse Block

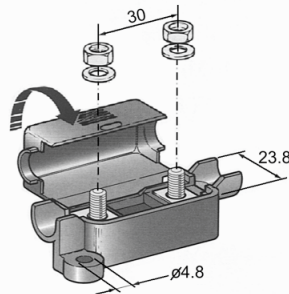
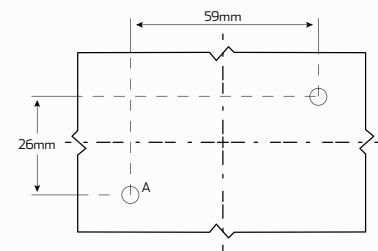
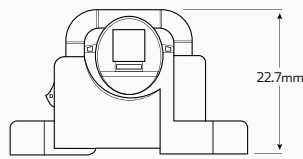
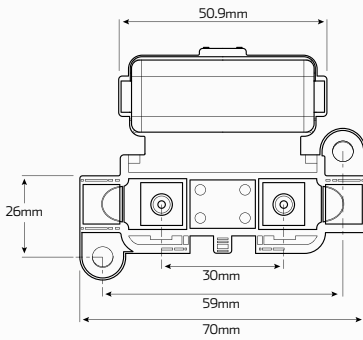
#QVMIDFBB

www.qvee.com.au

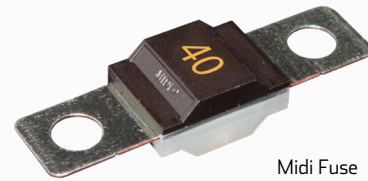
DESCRIPTION

Heavy duty midi fuse holder to suit midi fuses up to 125A.
Suitable for inline or surface mount applications.
Includes cover and hex nuts.

DIMENSIONS



*All measurements are in mm



Midi Fuse

Mounting Dimensions

- A: \varnothing 4.8mm
- H: 26mm Centre to Centre
- L: 59mm Centre to Centre

* Can be mounted inline or surface

Fuses are not included

TECHNICAL SPECIFICATIONS

Max. Voltage	• Up to 58 Volt DC
Max. Amperage	• Up to 125 Amperage
Body Material	• Black PA66
Accessories	• Includes cover & hex nuts
Studs Size	• M5 threaded studs.

Stud Material	• Steel / zinc plated
Dimensions	• 70mm L x 22.7mm H (when cover is closed)
Mounting	• 59mm x 26mm CTC, \varnothing 4.8mm hole
Approvals	• RoHS