



## Midi Fuse Block With 30 Amp Fuse

#QVMIDFB30BL

www.qvee.com.au

### DESCRIPTION

Heavy duty midi fuse holder with 30 Amp fuse. Suitable for inline or surface mount applications. Includes cover and hex nuts.

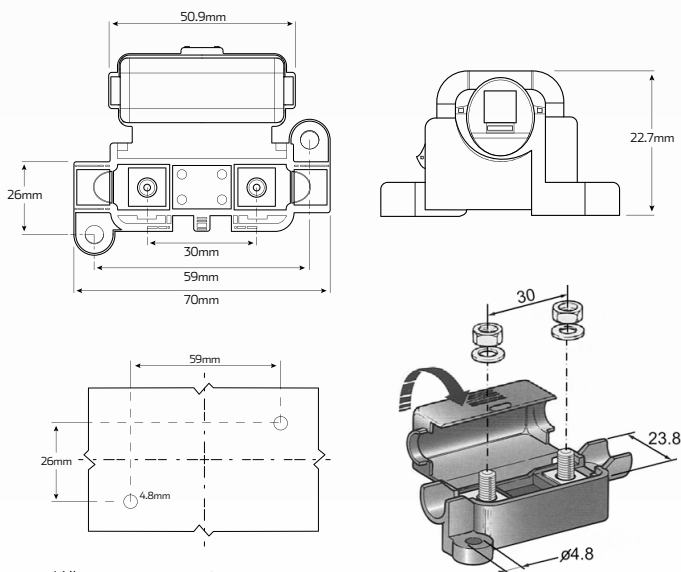


### TECHNICAL SPECIFICATIONS (QVMID30)

<b>Fuse I.R</b>	• 1000 Amps
<b>Fuse Voltage</b>	• 58 Volt DC
<b>Fuse Amperage</b>	• 30 Amp fuse
<b>Fuse Mounting</b>	• M5 Studs
<b>Fuse Approvals</b>	• ISO 8820-5, RoHS

% Amperage Rating	Opening Time	
	Min. Time	Max. Time
100%	100 hours	-
110%	4 hours	-
150%	90 seconds	1 hour
200%	3 seconds	100 seconds
300%	0.3 seconds	3 seconds
500%	0.1 seconds	1 second

### TECHNICAL SPECIFICATIONS (QVMIDFBB)



\*All measurements are in mm

<b>Withstanding Voltage</b>	• Up to 58 Volt DC
<b>Max. Amperage</b>	• 125 Amps
<b>Fuse Holder Material</b>	• Black PA66, steel / zinc plated studs
<b>Accessories</b>	• Includes cover & hex nuts
<b>Stud Size</b>	• M5 threaded studs.
<b>Dimensions</b>	• 70mm L x 22.7mm H (when closed)
<b>Fuse Holder Mounting</b>	• 59mm x 26mm CTC, Ø 4.8mm hole
<b>Fuse Holder Approvals</b>	• RoHS