



## In-Line Waterproof Maxi Blade Fuse Holder

#QVFHMAX

www.qvee.com.au

### DESCRIPTION

In-line waterproof fuse holder to suit maxi blade fuses.  
 Suitable for use with maxi blade fuses up to 80A.  
 Equipped with waterproof fuse cover, tin plated contacts & PVC housing. Comes pre-wired with automotive cable.

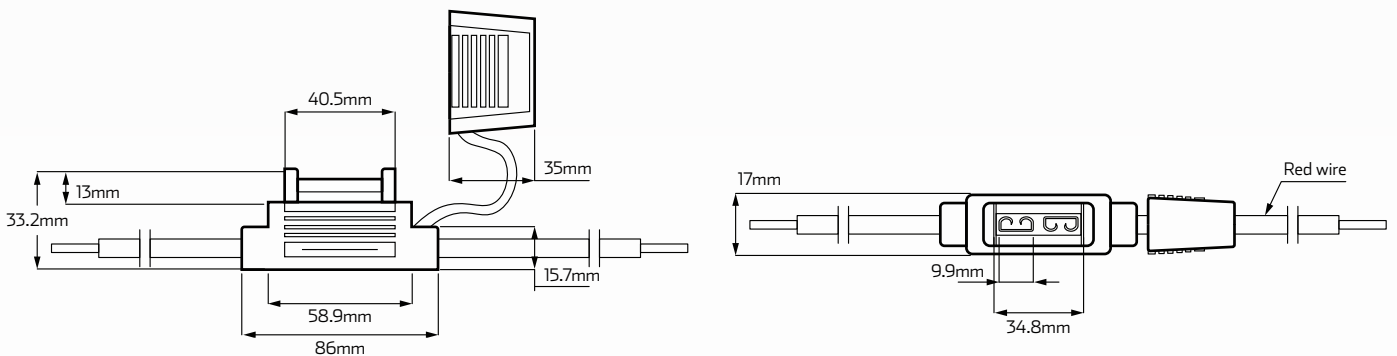


### TECHNICAL SPECIFICATIONS

|                              |                                  |
|------------------------------|----------------------------------|
| <b>Suitable Fuse</b>         | • Maxi blade fuse (not included) |
| <b>Voltage Rating</b>        | • Up to 32 Volt applications     |
| <b>Rated Current</b>         | • 80 Amps                        |
| <b>Operating Temperature</b> | • -40°C to 85°C                  |
| <b>Housing Material</b>      | • PVC housing                    |

|                         |                                       |
|-------------------------|---------------------------------------|
| <b>Housing Colour</b>   | • Black                               |
| <b>Contact Material</b> | • Brass with tin plating              |
| <b>Weatherproof</b>     | • Yes, when cap are properly in place |
| <b>Approvals</b>        | • UL 1015 approved                    |

### DIMENSIONS



### PART NUMBERS

| Part Numbers | Max. Amperage | Cable Type          | Description  |
|--------------|---------------|---------------------|--|
| QVFHMAX      | • 80 Amps     | • Red, 300mm length | • In-line maxi blade fuse holder. Up to 80A fuses. Pre-wired with 300mm red cable. |