



Heavy Duty Dual Battery Fuse Holder

www.eaton.com

Sold Individually

DESCRIPTION

Heavy duty double pole fuse holder to suit battery fuses. Weatherproof, perfect for tight spaces and harsh environments. 6mm stud. Simple to set up and compact, mounts on a 3/8" battery post, battery switch or a buss bar. Comes with a red cover cover. 300 Amps @ 12 Volt.

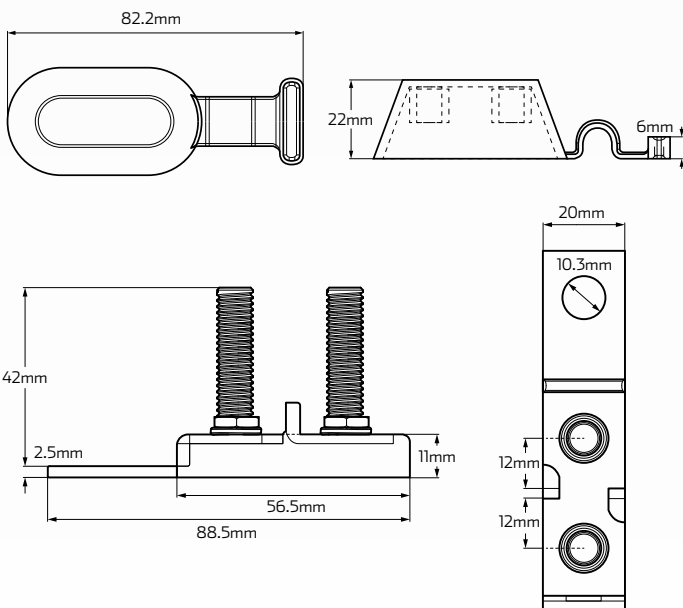
FEATURES

- Suitable for application of up to 58V DC
- Up to 300A max per kit @ 12 Volt
- Perfect for tight spaces installations
- Red santoprene insulated cap
- ABYC 7 approved
- Weatherproof, suitable for Australia's harsh conditions
- Easy to set up, mounts on a 3/8" battery post, battery switch or a buss bar



Perfectly suits Bussman's MRBF or other battery fuses

TECHNICAL SPECIFICATIONS



Voltage	• 58 Volt DC
Current Rating	• 300 Amps max per kit @ 12 Volt
Body Material	• Thermoplastic PPS UL94-V0
Bussbar Material	• Nickel plated copper
Bar Stud Size	• 1/4" - 20
Stud Material	• Stainless Steel
Applications	• DC Main, inverter, windlass & bow thruster circuit protection
Weatherproof	• Yes, with cover applied
Approval	• ABYC 7
Kit Contents	• S/S nuts, washers & cover