



Auto Reset Plastic Circuit Breaker - Straight Bracket

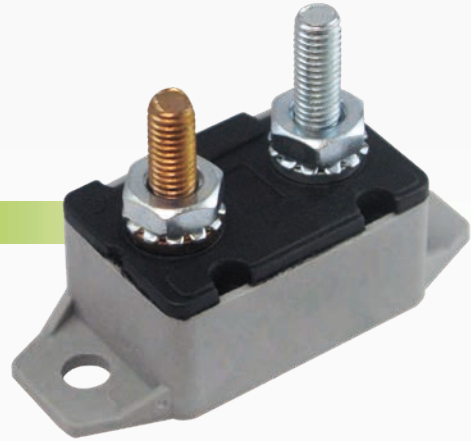
#QVCBP Series

www.qvee.com.au

DESCRIPTION

Automatic reset plastic circuit breaker with straight bracket.

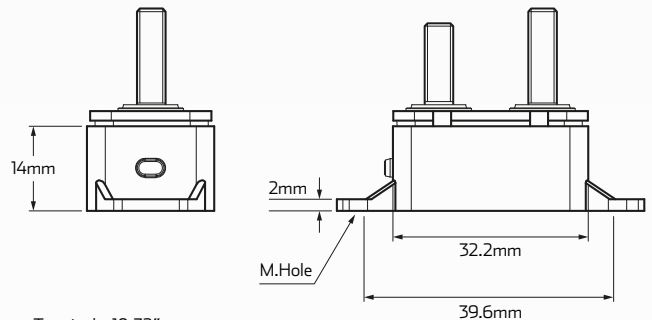
Equipped with thermoplastic housing & gold/silver plated terminals. #10-32" thread, nuts included. SAE approved. Suitable for automotive and other 12 Volt electrical applications.



TECHNICAL SPECIFICATIONS

Voltage	• 12 Volt (up to 14 Volt DC)
Rated Current	• 10A - 50A
Interrupt Rating	• 2.5kA @ 12 Volt DC
Operating Temperature	• -40°C to 85°C
Storage Temperature	• -40°C to 125°C
Terminal	• 10 - 32"
Torque Rating	• 24in-lb (2.7Nm) max
Terminal Hardware	• Terminal 1 - Gold plated / Terminal 2 - Silver plated
Housing Material	• UL rated thermoplastic
Mounting Type	• Straight bracket
Approvals	• SAE J553, SAE J1171

Dimensions



Terminals: 10-32"
+/- 0.5mm tolerance

PART NUMBERS

Part Numbers	Max. Voltage	Amperage	Description
QVCBP10	• Up to 14 Volt DC	• 10Amps	• 10A automatic reset plastic circuit breaker. Straight bracket. Supports up to 14V DC.
QVCBP15		• 15 Amps	• 15A automatic reset plastic circuit breaker. Straight bracket. Supports up to 14V DC.
QVCBP20		• 20 Amps	• 20A automatic reset plastic circuit breaker. Straight bracket. Supports up to 14V DC.
QVCBP25		• 25 Amps	• 25A automatic reset plastic circuit breaker. Straight bracket. Supports up to 14V DC.
QVCBP30		• 30 Amps	• 30A automatic reset plastic circuit breaker. Straight bracket. Supports up to 14V DC.
QVCBP40		• 40 Amps	• 40A automatic reset plastic circuit breaker. Straight bracket. Supports up to 14V DC.
QVCBP50		• 50 Amps	• 50A automatic reset plastic circuit breaker. Straight bracket. Supports up to 14V DC.