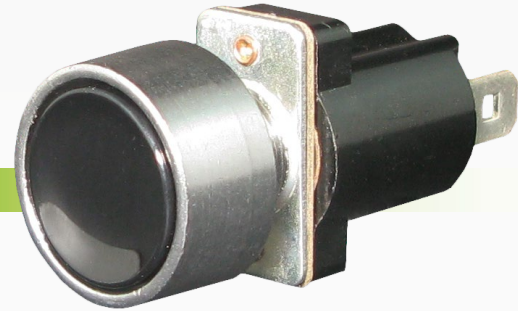




## SPST Off/Mom On Push Button Switch

#QVC938BP

www.qvee.com.au



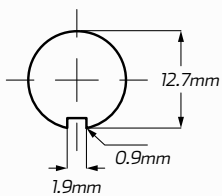
### DESCRIPTION

SPST Off/Momentary On push button switch.  
Amperage: 10A @ 12 Volt & 5A @ 24 Volt.  
2 blade terminals.

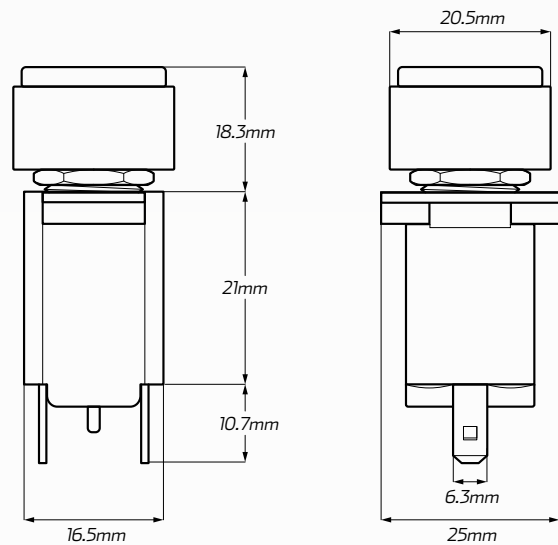
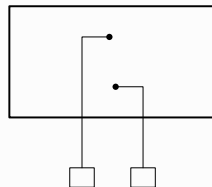
### DIMENSIONS

- 2 pin SPST Off/Momentary On push button switch
- 2 blade terminals
- Suitable for 12 - 24 volt applications
- 12.7mm diameter stem
- Spring return switch

#### Panel Cut-out\*



#### Wiring Diagram



\*Measurement Allowance: +/- 0.3mm

### TECHNICAL SPECIFICATIONS

|                         |                         |                           |                                  |
|-------------------------|-------------------------|---------------------------|----------------------------------|
| <b>Function</b>         | • SPST Off/Momentary On | <b>Contacts</b>           | • 2 blade terminals              |
| <b>Suitable Voltage</b> | • 12 - 24 Volt          | <b>Features</b>           | • Spring returns to Off position |
| <b>Amperage</b>         | • 10A @ 12V, 5A @ 24V   | <b>Switch Dimensions</b>  | • 16.5mm x 50mm x 25mm           |
| <b>Body Colour</b>      | • Silver / Black        | <b>Cut-out Dimensions</b> | • Ø 12.7mm (+/- 0.3mm allowance) |