



90° Battery Lug Covers

#QVBLC60R90 / QVBLC60B90

www.qvee.com.au

DESCRIPTION

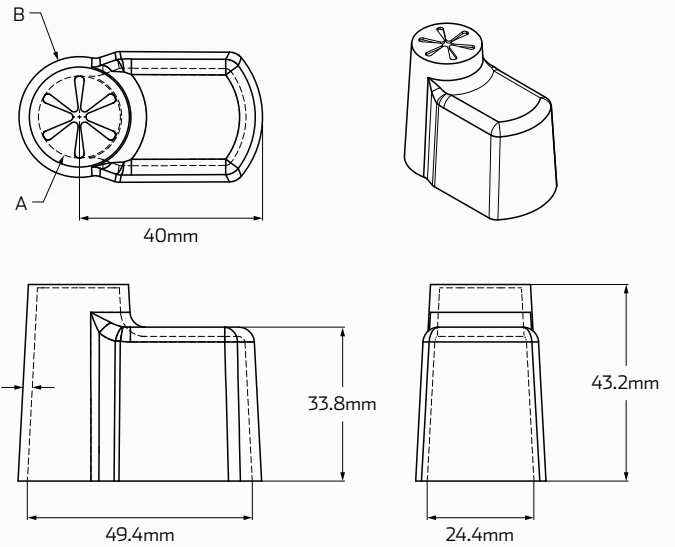
QVEE's 90° battery lug covers are designed to optimally protect right angle terminals in tight or confined spaces and minimize the chance of shocks and short circuits. Flexible cable entry helps inhibit dust from entering the cover.

Available in both red and black for colour identification.
Suitable for up to 60mm² cable size / 18mm cable O.D.



DIMENSION DIAGRAM

- Designed for right angle battery terminals
- Optimally protect terminals from shocks and short circuits
- Suitable for use with up to 60mm² cable size
- Available in both red and black for colour identification
- Flexible cable entry helps inhibit dust from entering



Dimensions

A: Cable Entry Diameter (O.D)	• 18mm Ø
B: Overall Diameter	• 22mm Ø
C: Wall Thickness	• 2.01mm

TECHNICAL SPECIFICATIONS

Cable Size	• Up to 60mm ² / 18mm O.D
Material	• PVC
Operating Temperature	• -48° Celcius to 168° Celcius
Specific Gravity	• 1.34
Shore Durometer	• Shore A 10 Sec. 65

Ultimate Elongation	• 400%
Tensile Strength	• 1550 PSI
Dielectric Strength	• 453 V/.mil
UL Rating	• UL - V2