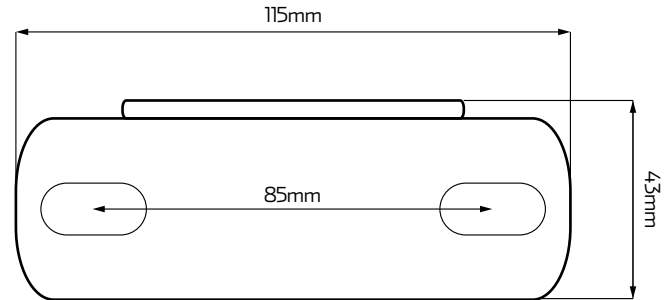
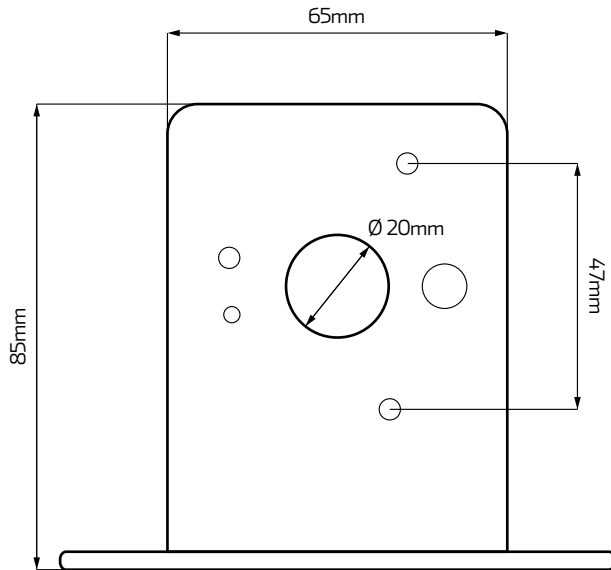


QVBRK7 ISOLATOR SWITCH MOUNTING BRACKET

Dimension Diagram

Dimensions*:



*Allowance of +/- 1mm.

*To avoid warranty issues QVEE recommends our products are fitted by a qualified Auto Electrician.