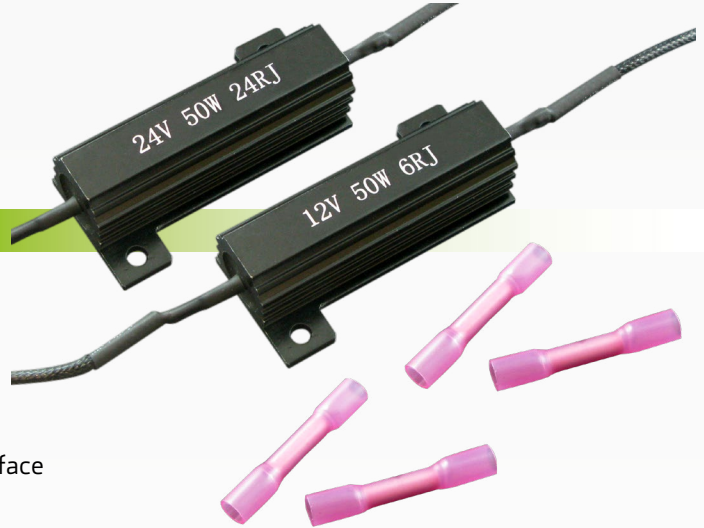




LED Load Resistor

#QVLR12/2 - 12V LED Resistor
 #QVLR24/2 - 24V LED Resistor

www.qvee.com.au



DESCRIPTION

QVEE 12 & 24 Volt LED load resistor.

Comes ready to use for both vehicle side. Withstands 50 Watt applications with up to 170°C maximum operating temperature. Supplied with heat shrinkable joiners.

As a safety precaution, please install resistors on a metal surface to avoid heat damages.

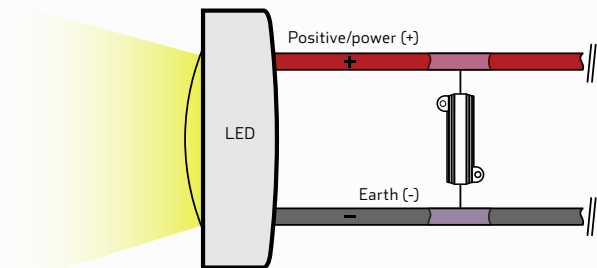
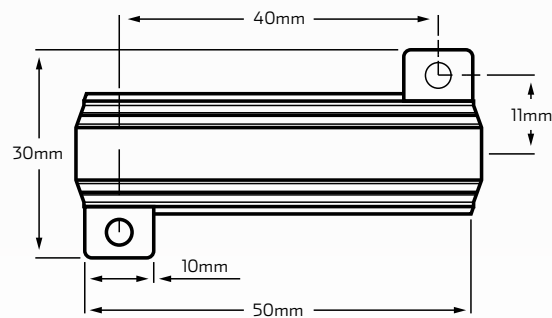
FEATURES

- Ready to use, resistors for both side of the vehicle
- Withstands up to 50W applications
- 170°C maximum operating temperature
- Supplied with joiners to ease installations.
- Pre-wired with 150mm cable on each end

Comprises:

- 2 x LED load resistors
- 4 x Fully insulated joiners (3mm auto)

Wiring Diagram



Metal surface mount applications only.

TECHNICAL SPECIFICATIONS

| Bulk Part Number. | Blister Pack Part Number. | Voltage | Wattage | Resistance | Description |
|-------------------|---------------------------|-----------|-----------|------------|---|
| QVLR12/2 | QVLR12/2BL | • 12 Volt | • 50 Watt | • 6 Ohms | • 2 x 12 Volt LED load resistor. Terminals included. |
| QVLR24/2 | QVLR24/2BL | • 24 Volt | • 50 Watt | • 24 Ohms | • 2 x 24 Volt LED load resistors. Terminals included. |