



## Heavy Duty LED Bullbar Indicator Park Lamp

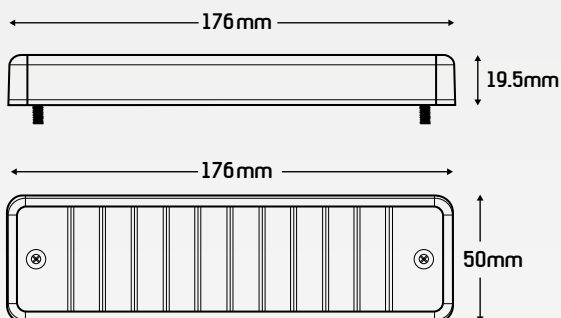
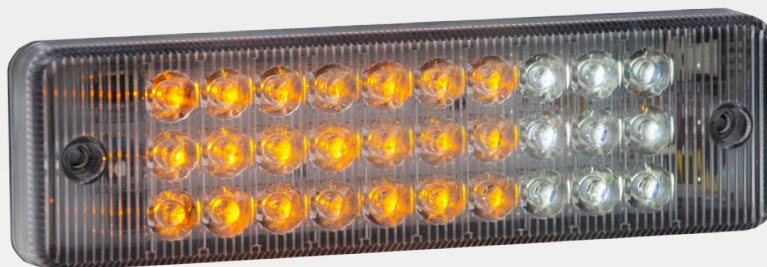
#QVBBAWS

### DESCRIPTION

The QVEE QVBBAWS has been specifically designed to suit the ever popular ARB Bullbars.

Incorporating both indicator and park lamp functions. These lamps are fully ADR compliant and have a 3 year warranty.

[www.qvee.com.au](http://www.qvee.com.au)



ARB Bullbar Set-up

- Registered Design
- 3 Year Warranty

### TECHNICAL SPECIFICATIONS

<b>Voltage</b>	• 9-32 Volt	<b>Colour</b>	• Amber & White
<b>IP Rating</b>	• IP68 Rated	<b>Base</b>	• Plastic Base
<b>Lens</b>	• Polycarbonate Lens	<b>Mounting</b>	• 2 Bolt Mount
<b>Functionality</b>	• Indicator & Park Light	<b>Dimensions</b>	• 50mm H x 176mm W x 19.5mm Depth
<b>LED Count</b>	• 30x High Powered LED's		

